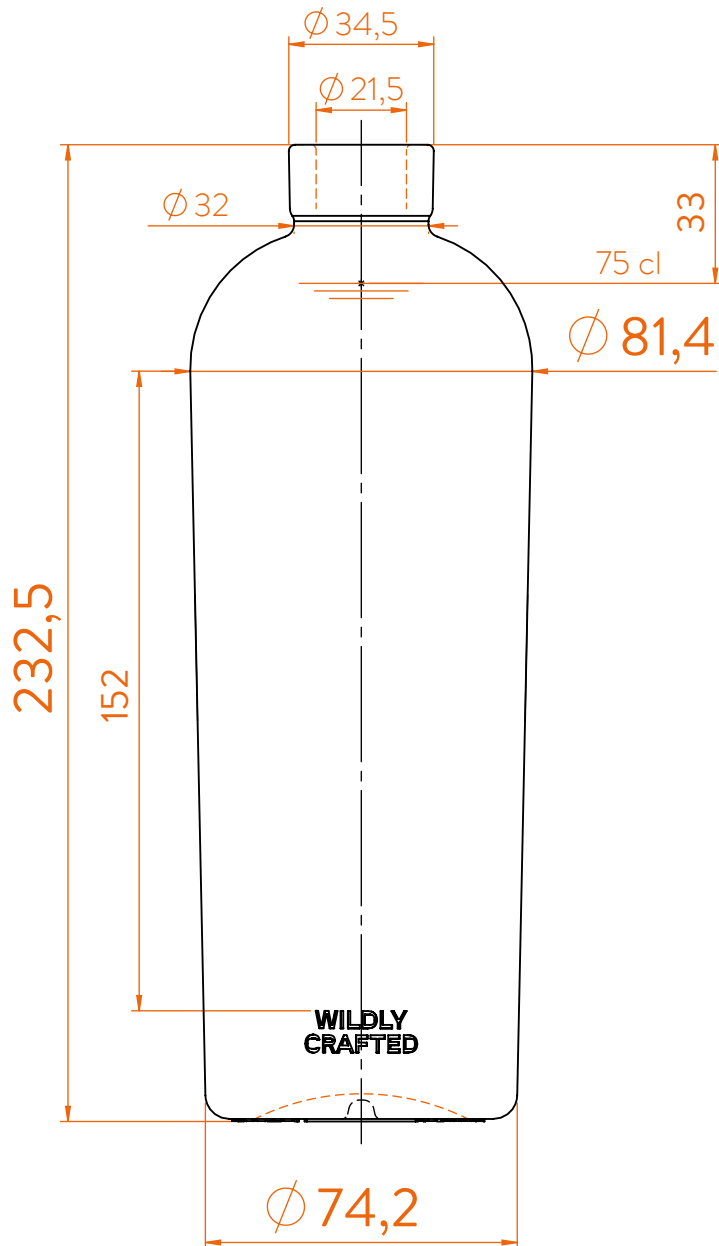


WILDLY CRAFTED[®] NATURAL

estal

www.estal.com
+ 34 972 821 676



Modelo registrado/
Registered model/
Modèle enregistré/



Choker Short

- FLINT WILD GLASS
- EXTRA FLINT
- AMBER



DATOS TÉCNICOS TECHNICAL DATA DONNÉES TECHNIQUES

Peso / Weight / Poids	500 gr
Altura total / Total height / Hauteur totale	232,5 mm
Diámetro del cuerpo / Body diameter / Diamètre du corps	74,2/81,4 mm
Ø interno boca / Ø inner mouth / Ø intérieur bouche	21,5 mm
Capacidad a verter / Brimfull / Capacité ras-bord	776 ml

75 cl

*At first the WILDLY CRAFTED NATURAL range is proposed in 70/75 cl.
Following business opportunities, other sizes (from miniature 5cl to big size 300cl) will be added to the range.*

The elements detailed in this document are not contractual. They are only indicative.