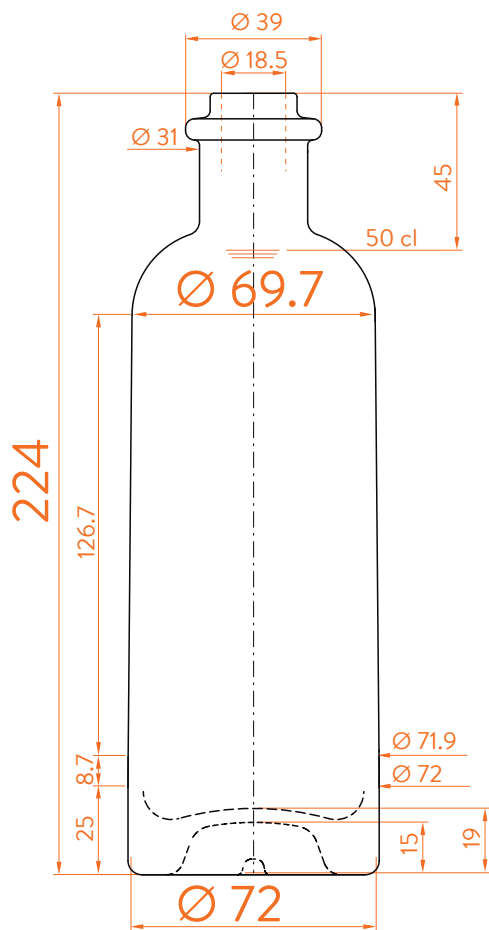


# DA ECO PHILOS

estal

www.estal.com  
+34 972 821 676



Modelo registrado/  
Registered model/  
Modèle enregistré



- EXTRA FLINT
- FLINT WILD GLASS



## DATOS TÉCNICOS TECHNICAL DATA DONNÉES TECHNIQUES

**Peso / Weight / Poids**

500 gr

**Altura total / Total height / Hauteur totale**

224 mm

**Diámetro del cuerpo / Body diameter / Diamètre du corps**

72 / 69,7 mm

**Ø interno boca / Ø inner mouth / Ø intérieur bouche**

18,5 mm

**Capacidad a verter / Brimfull / Capacité Ras-Bord**

518 ml

## 50 cl

At first the DA ECO PHILOS range is proposed in 5, 10, 25, 50, 70 and 75 cl.  
Following business opportunities, other sizes - from miniature 5 cl to big sizes 300 cl will be added to the range.

The elements detailed in this document are not contractual. They are only indicative.