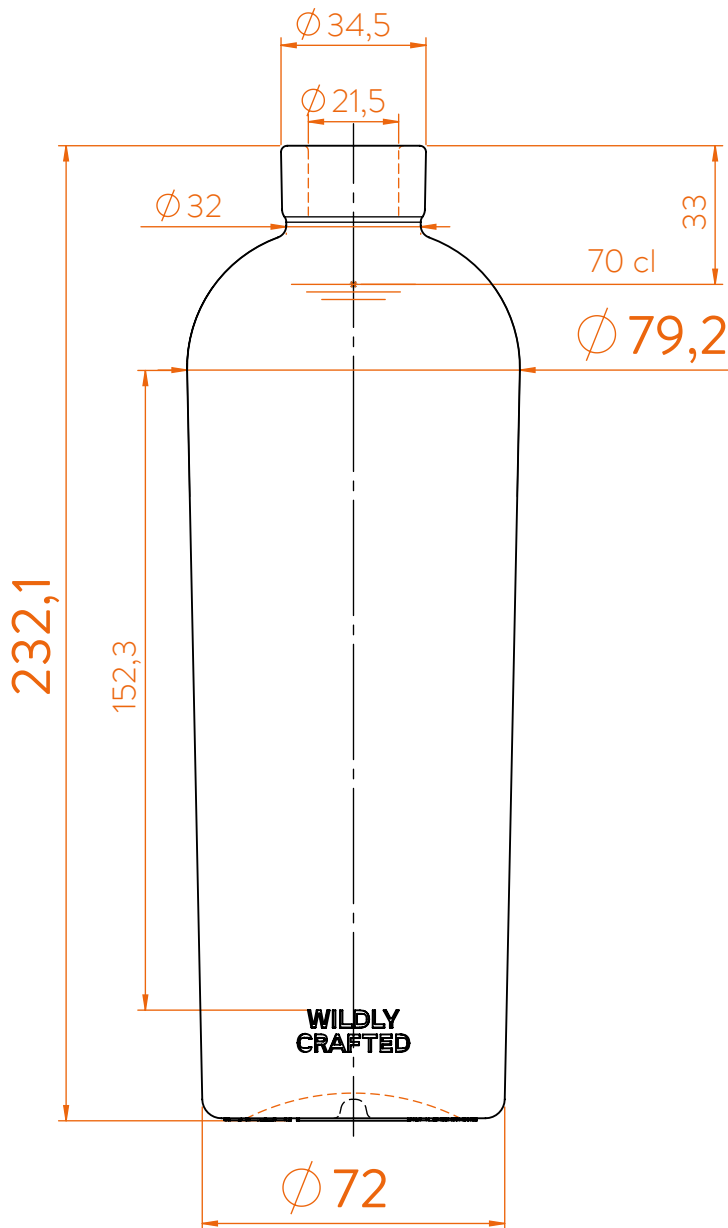


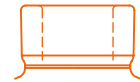
WILDLY CRAFTED[®] NATURAL

estal




www.estal.com
+ 34 972 821 676



Modelo registrado/
Registered model/
Modèle enregistré/



Choker Short

-  FLINT WILD GLASS
-  EXTRA FLINT
-  AMBER



DATOS TÉCNICOS TECHNICAL DATA DONNÉES TECHNIQUES

Peso / Weight / Poids	500 gr
Altura total / Total height / Hauteur totale	232,1 mm
Diámetro del cuerpo / Body diameter / Diamètre du corps	72/79,2 mm
Ø interno boca / Ø inner mouth / Ø intérieur bouche	21,5 mm
Capacidad a verter / Brimfull / Capacité ras-bord	725 ml

70 cl

At first the WILDLY CRAFTED NATURAL range is proposed in 70/75 cl.
Following business opportunities, other sizes (from miniature 5cl to big size 300cl) will be added to the range.

The elements detailed in this document are not contractual. They are only indicative.